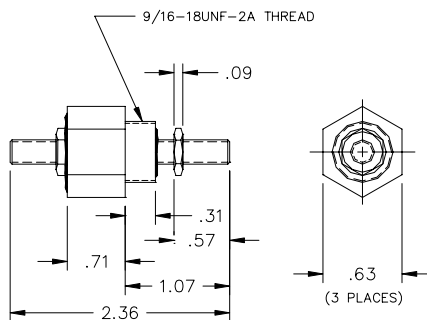


High Current Mini Feedthru Capacitor
BOLT-IN
8-32UNC-2A
DC - 400 Hz



Termination Hardware Included

Captor High Current Mini Feedthru Capacitors are designed to comply with the applicable requirements of MIL-PRF-15733H.

MECHANICAL:

- | | |
|--------------------------------|------------------------------|
| 1) Case Material | Brass |
| 2) Threaded Terminal Material | Brass |
| 3) Finish (Case and Terminals) | Electro Tin-Lead Reflow |
| 4) Line Terminations | 8-32UNC-2A Threaded Terminal |
| 5) Load Terminations | 8-32UNC-2A Threaded Terminal |
| 6) Weight | 0.2 lbs. |
| 7) Maximum Terminal Torque | 14 lb•in |

ELECTRICAL:

- | | |
|------------------------------------|------------------|
| 1) Rated AC Voltage | 140 VAC |
| 2) Rated DC Voltage | 250 VDC |
| 3) Rated Current | 25 Amps |
| 4) Frequency | DC - 400 Hz |
| 5) DWV | 600 VDC |
| 6) Insulation Resistance @ 100 VDC | 5000 Megohms min |
| 7) Dissipation Factor @ 1 kHz | < 0.7% |

ENVIRONMENTAL:

- | | |
|--------------------------------|-------------------|
| 1) Operating Temperature Range | -55° C to +85° C |
| 2) Storage Temperature Range | -55° C to +105° C |

Capacitance Values Available:

Cap (uF)	Part No.	Cap (uF)	Part No.	Cap (uF)	Part No.	Cap (uF)	Part No.
0.009	FTM-9038	0.01	FTM-9039	0.012	FTM-9040	0.015	FTM-9041
0.018	FTM-9042	0.022	FTM-9043	0.027	FTM-9044	0.033	FTM-9045
0.039	FTM-9046	0.047	FTM-9047	0.056	FTM-9048	0.068	FTM-9049
0.082	FTM-9050	0.1	FTM-9051	0.12	FTM-9052		

Should you require additional information, please do not hesitate to contact us.