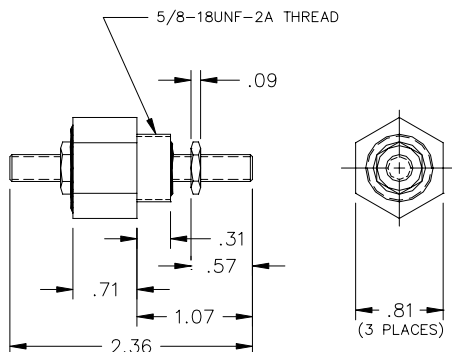


High Current Mini Feedthru Capacitor

BOLT-IN
1/4-20UNC-2A
DC - 400 Hz



Termination Hardware Included

Captor High Current Mini Feedthru Capacitors are designed to comply with the applicable requirements of MIL-PRF-15733H.

MECHANICAL:

- | | |
|--------------------------------|--------------------------------|
| 1) Case Material | Brass |
| 2) Threaded Terminal Material | Brass |
| 3) Finish (Case and Terminals) | Electro Tin-Lead Reflow |
| 4) Line Terminations | 1/4-20UNC-2A Threaded Terminal |
| 5) Load Terminations | 1/4-20UNC-2A Threaded Terminal |
| 6) Weight | 0.2 lbs. |
| 7) Maximum Terminal Torque | 30 lb•in |

ELECTRICAL:

- | | |
|------------------------------------|------------------|
| 1) Rated AC Voltage | 140 VAC |
| 2) Rated DC Voltage | 250 VDC |
| 3) Rated Current | 65 Amps |
| 4) Frequency | DC - 400 Hz |
| 5) DWV | 600 VDC |
| 6) Insulation Resistance @ 100 VDC | 5000 Megohms min |
| 7) Dissipation Factor @ 1 kHz | < 0.7% |

ENVIRONMENTAL:

- | | |
|--------------------------------|-------------------|
| 1) Operating Temperature Range | -55° C to +85° C |
| 2) Storage Temperature Range | -55° C to +105° C |

Capacitance Values Available:

Cap (uF)	Part No.	Cap (uF)	Part No.	Cap (uF)	Part No.	Cap (uF)	Part No.
0.0082	FTM-9070	0.01	FTM-9071	0.012	FTM-9072	0.015	FTM-9073
0.018	FTM-9074	0.022	FTM-9075	0.027	FTM-9076	0.033	FTM-9077
0.039	FTM-9078	0.047	FTM-9079	0.056	FTM-9080	0.068	FTM-9081
0.082	FTM-9082	0.10	FTM-9083	0.12	FTM-9084	0.15	FTM-9085
0.18	FTM-9086	0.22	FTM-9087				

Should you require additional information, please do not hesitate to contact us.