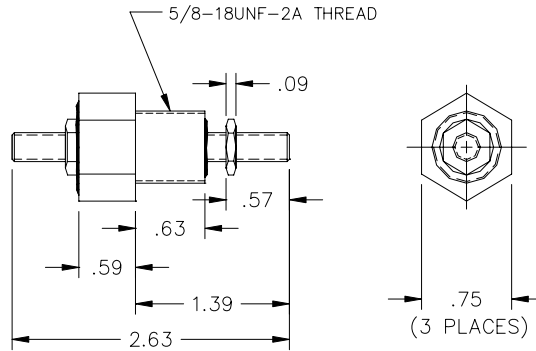


### High Current Mini Feedthru Capacitor

**JAM NUT**  
**10-32UNF-2A**  
**DC – 60 Hz**



Mounting & Termination Hardware Included

Captor High Current Mini Feedthru Capacitors are designed to comply with the applicable requirements of MIL-PRF-15733H.

**MECHANICAL:**

- |                                |                               |
|--------------------------------|-------------------------------|
| 1) Case Material               | Brass                         |
| 2) Threaded Terminal Material  | Brass                         |
| 3) Finish (Case and Terminals) | Electro Tin-Lead Reflow       |
| 4) Line Terminations           | 10-32UNF-2A Threaded Terminal |
| 5) Load Terminations           | 10-32UNF-2A Threaded Terminal |
| 6) Weight                      | 0.2 lbs.                      |
| 7) Maximum Terminal Torque     | 18 lb•in                      |

**ELECTRICAL:**

- |                                    |                  |
|------------------------------------|------------------|
| 1) Rated AC Voltage                | 140 VAC          |
| 2) Rated DC Voltage                | 250 VDC          |
| 3) Rated Current                   | 35 Amps          |
| 4) Frequency                       | DC - 60 Hz       |
| 5) DWV                             | 600 VDC          |
| 6) Insulation Resistance @ 100 VDC | 5000 Megohms min |
| 7) Dissipation Factor @ 1 kHz      | < 0.7%           |

**ENVIRONMENTAL:**

- |                                |                   |
|--------------------------------|-------------------|
| 1) Operating Temperature Range | -55° C to +85° C  |
| 2) Storage Temperature Range   | -55° C to +105° C |

Capacitance Values Available:

Cap (uF)	Part No.	Cap (uF)	Part No.	Cap (uF)	Part No.	Cap (uF)	Part No.
0.047	FTM-9099	0.051	FTM-9100	0.056	FTM-9101	0.068	FTM-9102
0.082	FTM-9103	0.10	FTM-9104	0.12	FTM-9105	0.15	FTM-9106
0.18	FTM-9107	0.22	FTM-9108	0.27	FTM-9109	0.33	FTM-9110
0.39	FTM-9111						

Should you require additional information, please do not hesitate to contact us.