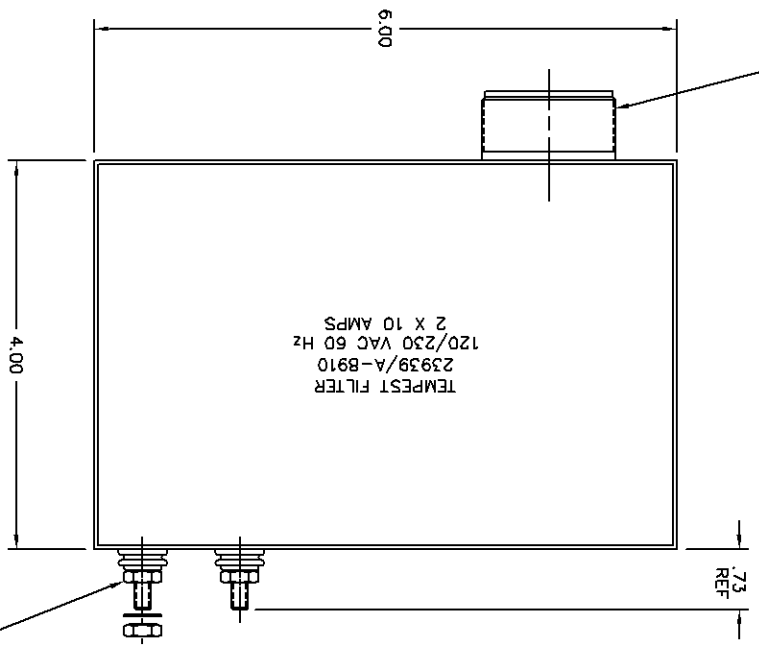
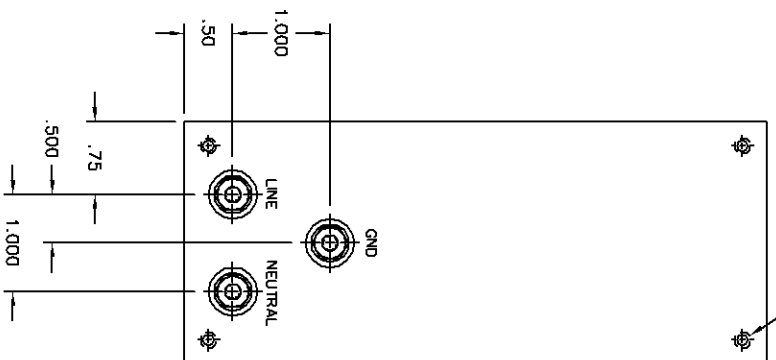


CONNECTOR: MS3102E22-2P



8-32UNC-2A TERMINAL ASSY
SUPPLIED W/ HEX NUT &
LOCK WASHER (3 PLACES)



8-32UNC-2B INSERT
8 FULL THREADS MIN.
(8 PLACES)

REV.	REVISION MARKING & REF DIMENSION	BY	DATE	TITLE	SCALE	SIZE	IR.	VLJ
A	ADDED TERMINAL MARKING & REF DIMENSION	RMS	5/14/07	OUTLINE	FULL	C		
REVISION RECORD				<p>CAPTOR CORPORATION TIPP CITY, OHIO</p>				
				<p>TOLERANCES X ± .100 XX ± .050 XXX ± .010 UNLESS OTHERWISE NOTED</p>				
				<p>DATE 4/20/07 PART NO. A-8910</p>				